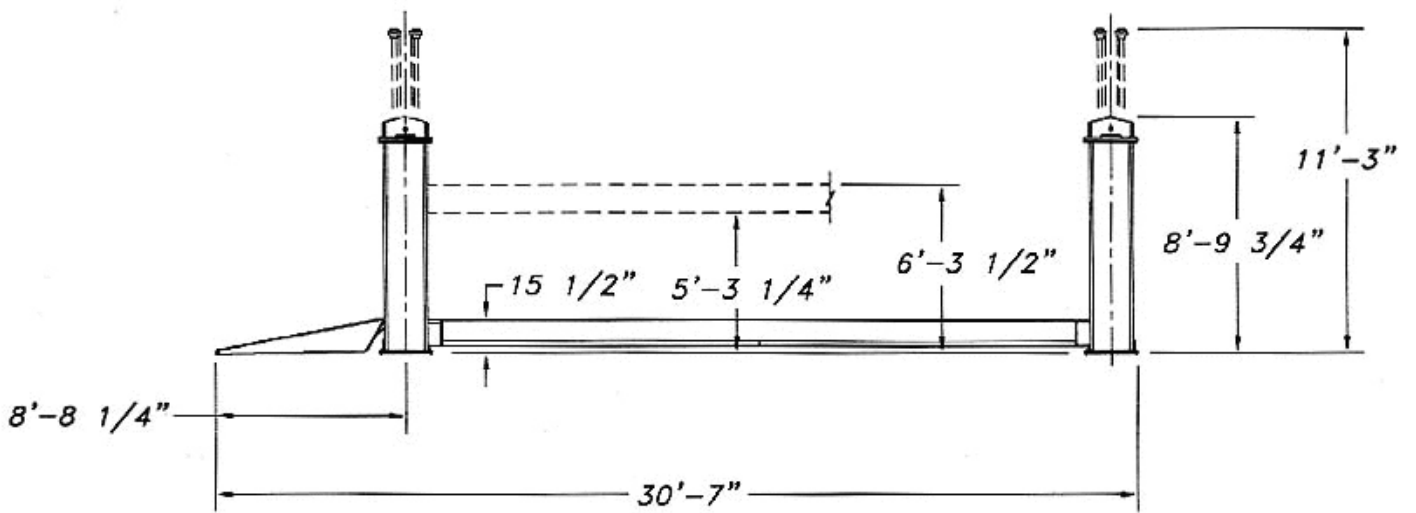
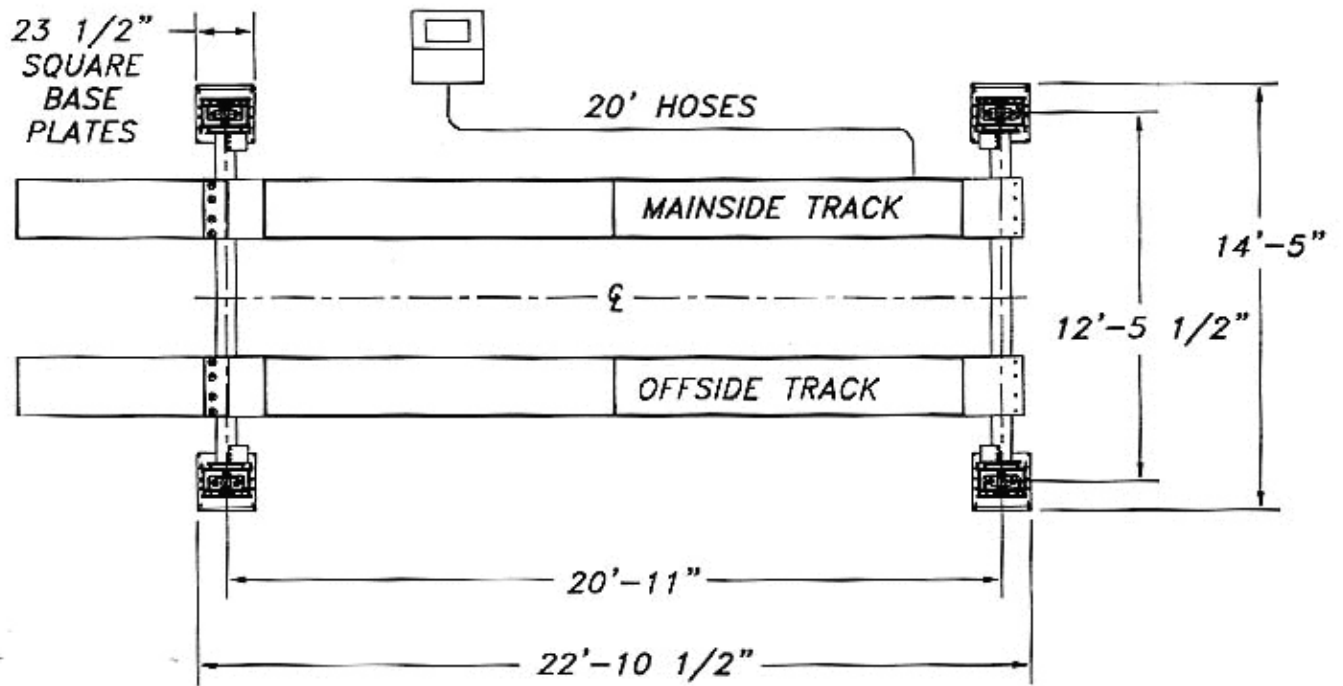
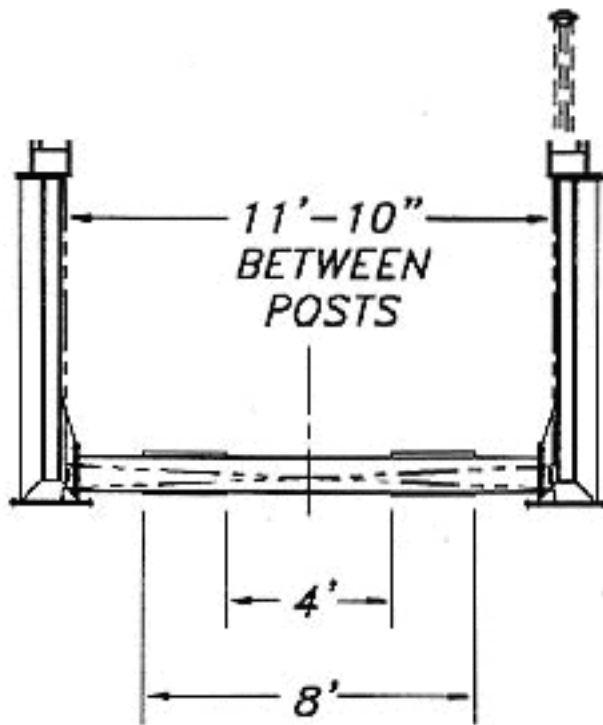


TR 50/20 Foot Runway Length





SHOWN WITH 20' RUNWAYS

MODEL:**TR-50**

| | |
|---------------------------------|--|
| Capacity: | 50,000 lbs. |
| Lifting Speed: | 120 seconds |
| Motor Rating: | 7.5 HP/220 VAC, 3-phase |
| Lifting Height (Stroke): | 5' |
| Runway Height at Full Stroke: | 6' 3-1/2" |
| Weight: | 17,000 lbs. |
| Overall Length: | 35' 7-1/4" |
| Overall Width: | 14' 5" |
| Width Between Posts: | 12' |
| Track Width: | 24" |
| Lifting Mechanism: | (4) Direct drive cylinders using no cables, chains or mechanical lifting screws. |
| Synchronization (Side to Side): | Hydraulic fluid displacement backed by twin opposing leaf chains. |
| Synchronization (fore and Aft): | Manual or automatic controls gear-type flow dividers, integral differential relief valving, and a fluid track leveling system. |
| Mechanical Safety Systems: | Infinite position mechanical locking wedge in each post. |
| Hydraulic Safety Systems: | Integral hydrostatic line blow off flow control devices and velocity fuses. |
| Electrical Safety Systems: | Cross-Wired Electronics Systems |
| Push Button Electronics: | NEMA Type 4 Waterproof |
| Controls: | Solenoid Operated |
| Wheel Chocks: | Standard Equipment |
| Concrete Requirements: | 4000 PSI concrete 8" thick or (4) 6' x 6' footings 12" deep. |
| Work Area Around/Under Lift: | Clear and unobstructed when lift is raised. |
| Warranty: | 5 years; limited lifetime on cylinders. |

Available Options:

- Single Phase Power @ 208-230 VAC
- Drive Through Ramps
- Rolling Hydraulic Jacking Beams
- Air Lines Plumbed Into Tracks
- Obstacle Sensor Package
- Longer and Shorter Tracks
- Three Phase Power @ 440-480 VAC
- Runway Lighting
- Rolling Jack Platform
- Oil Drain Pan
- 4' x 4' Base Plates

Mohawk builds the best products with the finest materials, to the highest standards. Just compare our lifts. Our staff will assist you with a fleet evaluation, design assistance and answer any technical questions you have. We invite your calls.

Mohawk Lifts are manufactured in compliance the following standards: ANSI, ASME, AISI, ASTM, OSHA, ASA, NEC, AWS and NEMA.

Certified by Automotive Lift Institute to conform with ANSI/ALI ALCTV-1998 Standard. Meets ANSI, NEC, and NEMA safety codes.