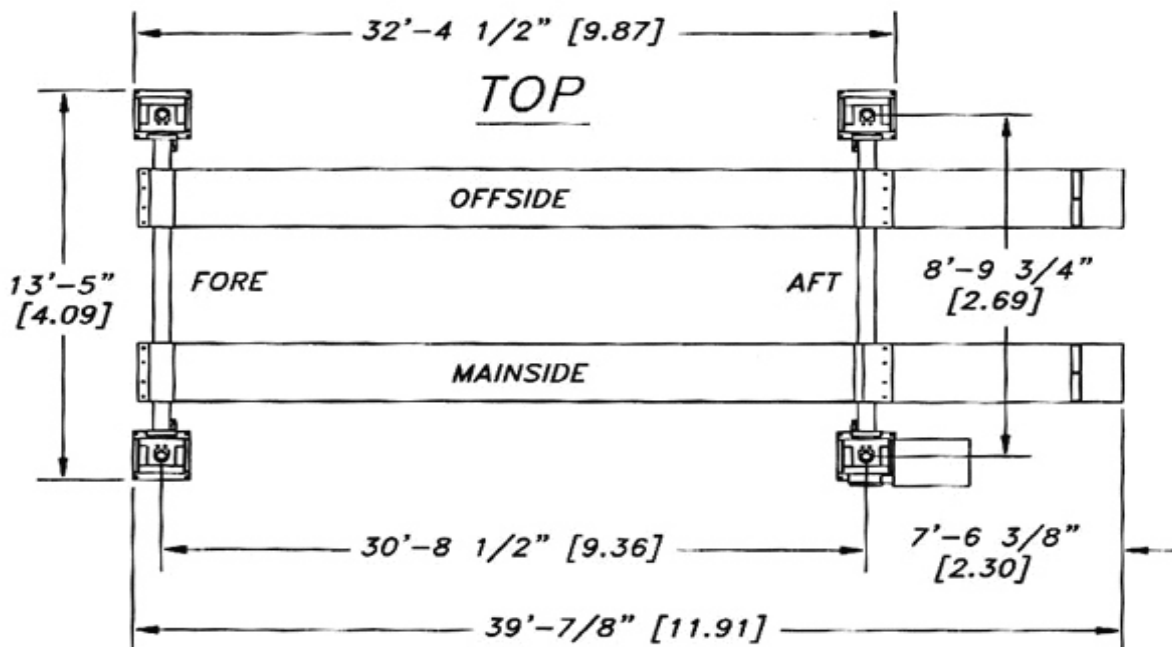
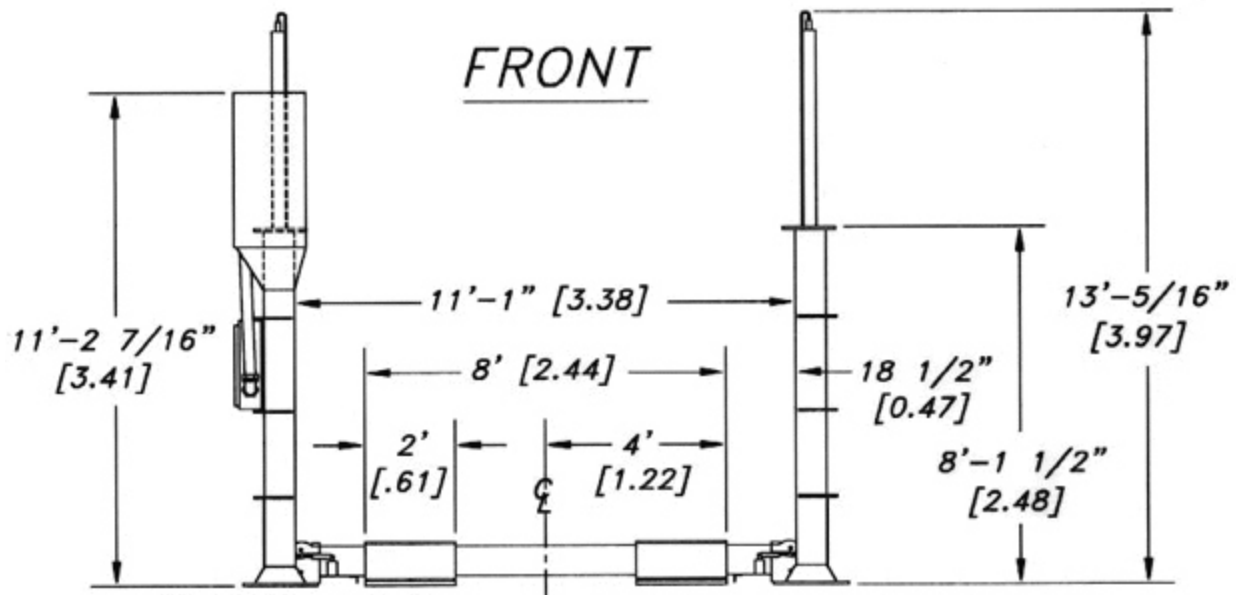
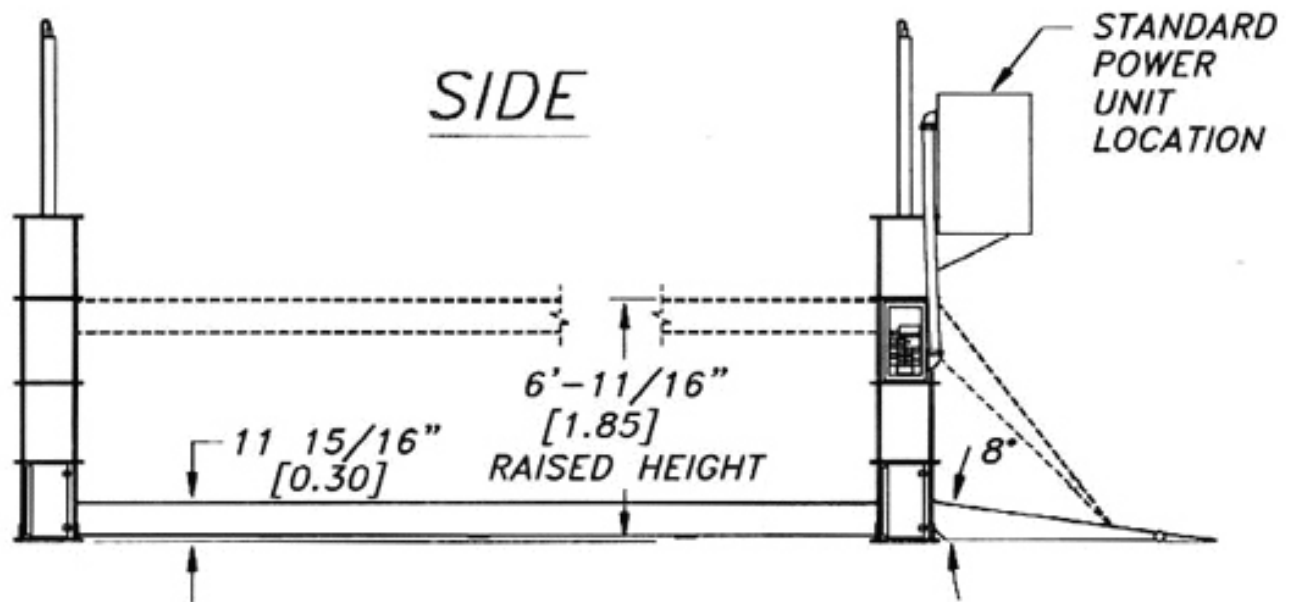


TR 33/30 Rough Specifications





* SHOWN WITH 30' RUNWAYS.

** POWER UNIT LOCATION PER CUSTOMER'S SPECIFICATION.
MOHAWK RECOMMENDS POWER UNIT LOCATION AT REAR
POST FACING APPROACH RAMPS.

*** SPECIFICATIONS SUBJECT TO CHANGE WITHOUT NOTICE.

MODEL:**TR-33**

| | |
|----------------------------------|--|
| Capacity: | 33,000 lbs. |
| Lifting Speed: | 90 seconds |
| Motor Rating: | 5 HP-220/440 Volt Three Phase |
| Overall Length: | 29' 1" |
| Overall Width: | 13' 7" |
| Lifting Stroke: | 5' |
| Height @ Full Stroke: | 6' 1" |
| Track Length: | 30' (25' or 30' Optional) |
| Track Width: | 24" |
| Inside Track Clearance: | 4' |
| Track Adjustment: | 4' to 8' |
| Clearance Between Posts: | 11' 1" Standard (Wider Available) |
| Lifting Mechanism: | Four direct drive hydraulic cylinders using no cables, chains or mechanical lifting screws |
| Synchronization (Side to Side): | Hydraulic fluid displacement backed by twin opposing leaf chains |
| Synchronization (Fore and Aft): | Automatic (with manual over-ride) controlled gear-type flow dividers, integral differential relief valving, with fluid track leveling system |
| Mechanical Safety Release: | Single point air release |
| Mechanical Safety Locks: | Multi-position every 4-1/2" |
| Back-up Hydraulic Safety System: | Pressure compensated flow controls and velocity fuses |
| Electrical Safety Systems: | Cross-wired electronic systems |
| Wheel Chocks: | Standard equipment |
| Floor Requirements: | 4-1/2" thick, 4000 PSI |
| Work Area Around/Under Lift: | Clear and unobstructed when lift is raised |
| Warranty: | 5 years, (excluding motor & pump) plus *Extended Cylinder Warranty* |
| Lift Weight: | 8600 lbs. (with 20' track) |

Available Options:

- 20' or 30' Long Runways
- Rolling Electric/Hydraulic Jacking Beams
- Rolling Jacking Platform
- Rolling 30 Gallon Oil Drain Pan
- Runway Lighting
- 110 Volt Outlets in Tracks
- Air Lines in Tracks
- TD-1000 High Rise Tire Dolly
- Lockable Main Switch
- Audible Descent Alarm
- Drive Through Ramps
- 208/230/460/380/575 VAC, 50/60 Hz Power Units

NOTE: Some options are not compatible with one another.

NOTE: Larger capacity lifts are available.

Mohawk Lifts are manufactured in compliance the following standards: ANSI, ASME, AISI, ASTM, OSHA, ASA, NEC, AWS and NEMA.

Mohawk builds the best products with the finest materials, to the highest standards. Just compare our lifts. Our staff will assist you with a fleet evaluation, design assistance, AutoCADÆ disks and answer any technical questions you have. We invite your calls.