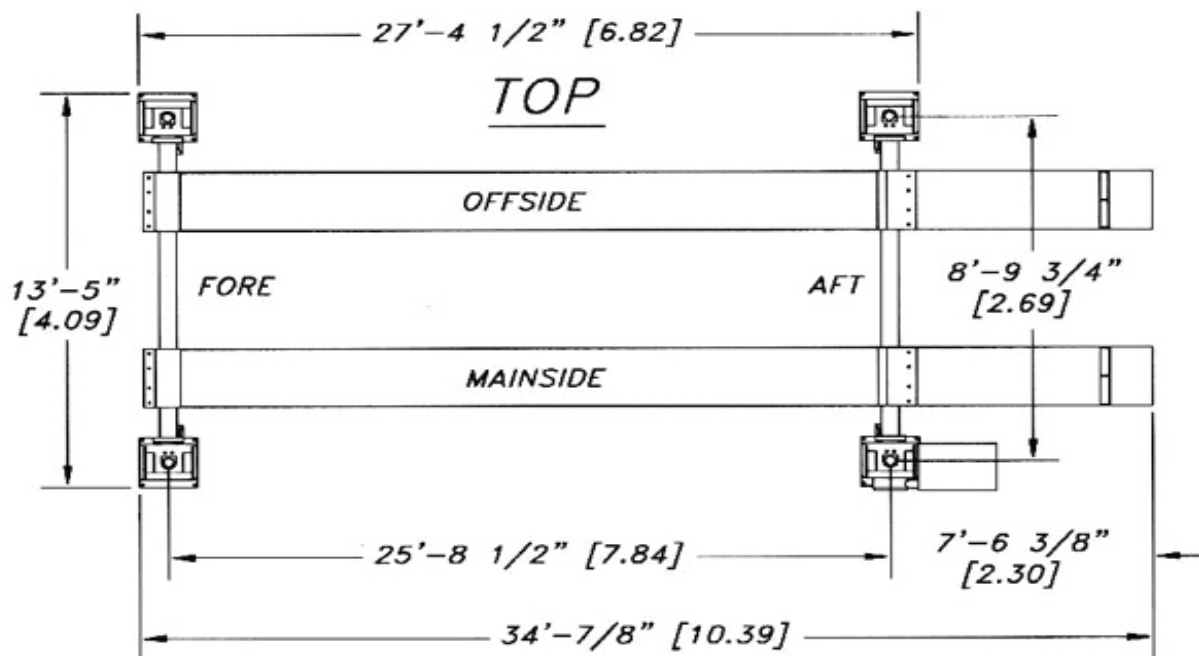
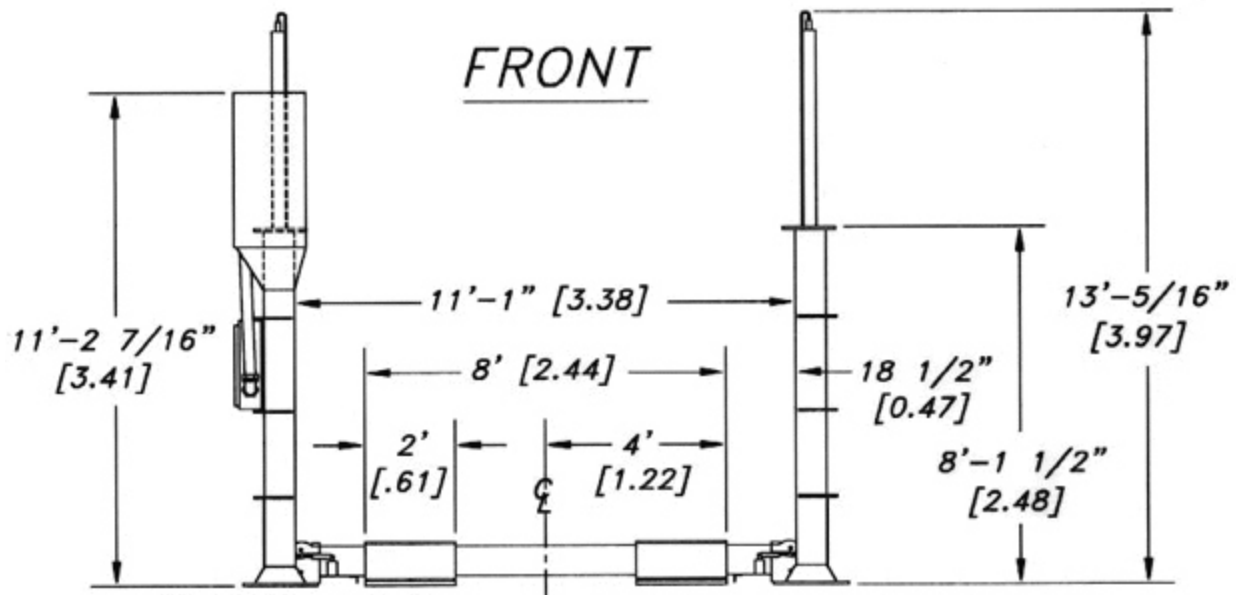
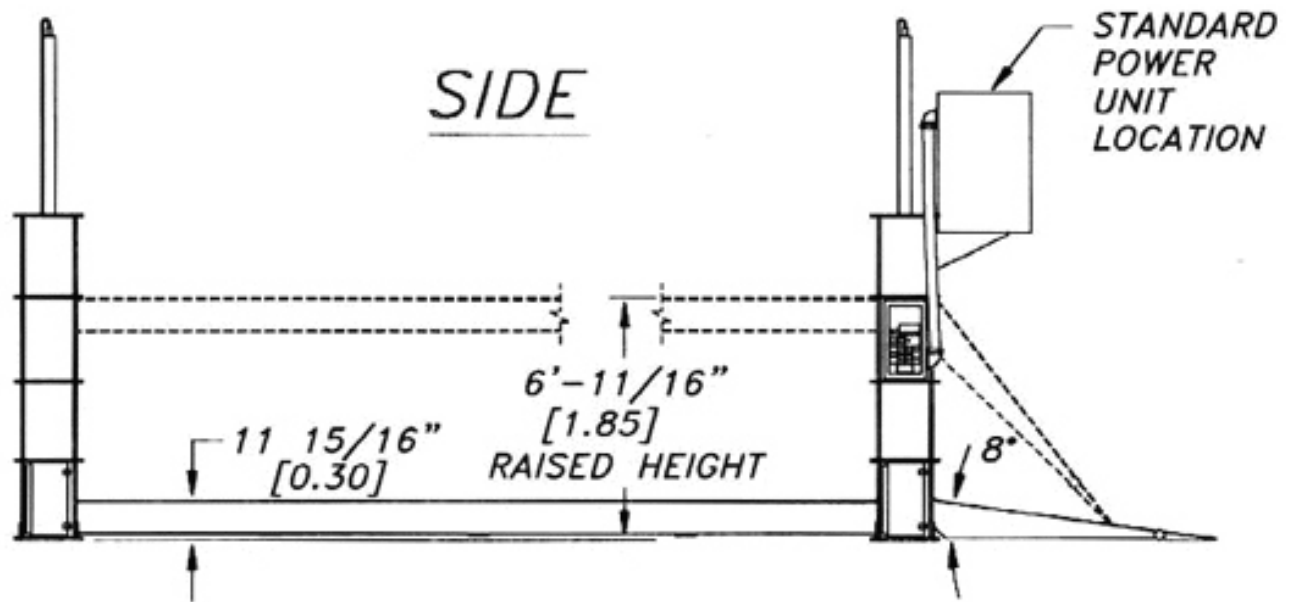


TR 33/25 Rough Specifications





* SHOWN WITH 25' RUNWAYS.

** POWER UNIT LOCATION PER CUSTOMER'S SPECIFICATION.
MOHAWK RECOMMENDS POWER UNIT LOCATION AT REAR
POST FACING APPROACH RAMPS.

*** SPECIFICATIONS SUBJECT TO CHANGE WITHOUT NOTICE.

MODEL:**TR-33**

Capacity:	33,000 lbs.
Lifting Speed:	90 seconds
Motor Rating:	5 HP-220/440 Volt Three Phase
Overall Length:	29' 1"
Overall Width:	13' 7"
Lifting Stroke:	5'
Height @ Full Stroke:	6' 1"
Track Length:	25' (20' or 30' Optional)
Track Width:	24"
Inside Track Clearance:	4'
Track Adjustment:	4' to 8'
Clearance Between Posts:	11' 1" Standard (Wider Available)
Lifting Mechanism:	Four direct drive hydraulic cylinders using no cables, chains or mechanical lifting screws
Synchronization (Side to Side):	Hydraulic fluid displacement backed by twin opposing leaf chains
Synchronization (Fore and Aft):	Automatic (with manual over-ride) controlled gear-type flow dividers, integral differential relief valving, with fluid track leveling system
Mechanical Safety Release:	Single point air release
Mechanical Safety Locks:	Multi-position every 4-1/2"
Back-up Hydraulic Safety System:	Pressure compensated flow controls and velocity fuses
Electrical Safety Systems:	Cross-wired electronic systems
Wheel Chocks:	Standard equipment
Floor Requirements:	4-1/2" thick, 4000 PSI
Work Area Around/Under Lift:	Clear and unobstructed when lift is raised
Warranty:	5 years, (excluding motor & pump) plus *Extended Cylinder Warranty*
Lift Weight:	8600 lbs. (with 20' track)

Available Options:

- 20' or 30' Long Runways
- Rolling Electric/Hydraulic Jacking Beams
- Rolling Jacking Platform
- Rolling 30 Gallon Oil Drain Pan
- Runway Lighting
- 110 Volt Outlets in Tracks
- Air Lines in Tracks
- TD-1000 High Rise Tire Dolly
- Lockable Main Switch
- Audible Descent Alarm
- Drive Through Ramps
- 208/230/460/380/575 VAC, 50/60 Hz Power Units

NOTE: Some options are not compatible with one another.

NOTE: Larger capacity lifts are available.

Mohawk Lifts are manufactured in compliance the following standards: ANSI, ASME, AISI, ASTM, OSHA, ASA, NEC, AWS and NEMA.

Mohawk builds the best products with the finest materials, to the highest standards. Just compare our lifts. Our staff will assist you with a fleet evaluation, design assistance, AutoCADÆ disks and answer any technical questions you have. We invite your calls.