

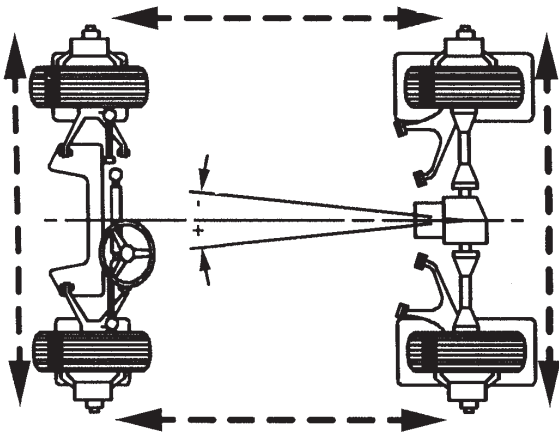


Computer Four Wheel Alignment

FOR ALL OF TODAY'S VEHICLES... AND TOMORROW'S

Designed for the Technician.

The 2400 Technology Offers Fast, Easy, and Reliable Results.



8-Sensor Advantages:

With full cross toe and track toe beam connectivity, the Accu 2400 features:

- Toe calibration verification and wheel sensor self-diagnostics.
- Procedure warning screen ensures proper alignment steps and procedures are used.
- Spoiler Mode allows the technician to tilt the sensor head down to see under vehicles with lower than usual front ends.

Set-up Software



Technician has the option to customize alignment units of measure, language, accuracy, etc.



Technician has a choice of rolling or lifted run-out modes.



Customer database storage.



Battery strength is constantly monitored on the 2400CCDW wireless system.



Extensive vehicle database and the ability to add custom specs.



Features self-diagnostic help screen and system information.



Standard Hardware

- Convenient rolling cabinet houses 4 measurement sensors.
- CPU
- keyboard
- mouse
- color printer
- 17" monitor (19" monitor standard on 2400CCDW), and durable connection cables.
- Includes steering wheel lock and brake pedal depressor.
- Blue Tooth wireless technology enhances the 2400CCDW wireless system.



Standard 26" 4-point wheel clamps.

Measurement Components

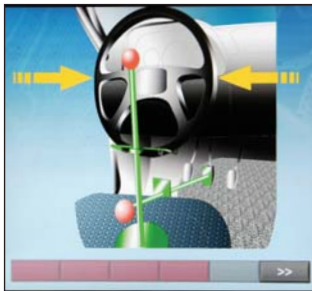


Reliable Sensors

- Features 8-sensor technology.
- Integrated sensor keyboard allows technician operation from sensor.
- Durable accelerometer technology measures caster and camber angles, no more broken tilt sensors.



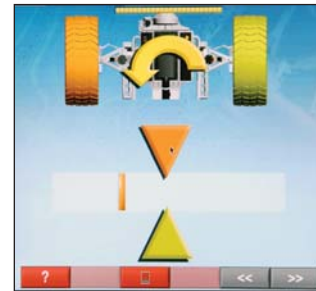
Adjustments Help From Beginning To End



Easy to follow step by step graphics.



Vehicle run-out on ground or on lift.



Quick and easy to follow caster swing.



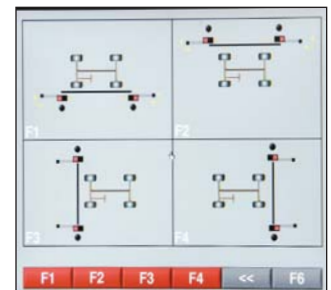
View run-out while vehicle is raised.



Front meter screen with frozen readings - freezes the readings to allow the technician to lift or move the vehicle then make the readings live again.



Easy-to-read rear meter provides caster, camber, and toe, all on one screen.



End-user sensor calibration screen allows the technician to self-calibrate the aligner.

Measure run-out compensation with vehicle wheels raised or while on the ground (on lift).





to order call **1-888-884-2626**

Model 2400CCD & 2400CCDW Wireless 8 Sensor CCD



Standard Hardware

- Convenient rolling cabinet with integrated storage
- 17" Flat Screen LCD Monitor 2400CCD
- 19" Flat Screen LCD Monitor 2400CCDW
- Color printer
- 3-year parts warranty
- Non-proprietary computer
- Mouse
- Console keyboard
- 8 camera CCD system
- Wheel sensor keypad controls
- Wheel clamps with 26" range
- Steering wheel lock
- Brake pedal depressor
- Blue Tooth wireless system (2400CCDW)
- Standard mild-steel turntables (qty. 2)
- Current year, plus two additional specification upgrades

Alignment Procedures

- Elevated adjustments
- Steering axis inclination
- Rolling or lifted run-out compensation
- Frozen or live readings
- Help menu
- Vehicle adjustment help
- Customer database
- Customer notes and comments
- Before and after adjustment readings
- Procedure warning screens

Set Up

- Mfr. specifications - 30 years
- Multiple languages
- Customer database storage
- Units of measure
- Shop information

Optional

- Rack wiring kit
- Wheel grabber kit
- Plastic claw/pin kit
- Sensor calibration fixture
- Stainless steel turntable upgrade (22-00113)
- Extended length cables 20'
- Dual wheel adapter
- Sensor drop-down kit (for large diameter tires)

Equipment Specifications

Power	110vac
Rim size	10-26"
Tire diameter	35" max (expandable with kit)
Wheel base	48" - 210"
Wireless range	200 feet (2400CCDW)

Accu Offers a Complete Line of Wheel Service Equipment



Product Information

Atlantic Auto Suppliers, Inc.
 141 NE 24th Street, Miami, Florida 33137
 Phone: 305.576.6951
 Toll Free: 1.800.525.LIFT
www.atlanticautosuppliers.com



Accu Industries, Inc.

Headquarters:
 P.O. Box 15540
 Richmond, VA 23227
 11126 Air Park Road
 Ashland, VA 23005

Product and Sales Information
 Gamco Accu Products Warehouse
www.AccuTurn.com
 888-884-2626 / 773-436-0022
Info@AccuTurn.com